



CITY OF PINOLE

2131 Pear Street
Pinole, CA 94564

Phone: (510) 724-9010
FAX: (510) 724-9826
www.ci.pinole.ca.us

ADDENDUM 4 SS-2201 SANITARY SEWER REHABILITATION PROJECT (PHASE 1) CIP PROJECT NO. SS-2201

November 2, 2023

BID OPENING DATE: Wednesday, November 8, 2023, 2:00 p.m.

All prospective bidders are hereby notified that modification and/or changes are to be made to the contract documents for this project, as entitled above.

General

1. This Addendum forms a part of the Bidding and Contract Documents and modifies the Notice of Invitation for Bids, Instructions to Bidders, Specification 02200, and Drawing No. D-01 of the Drawings, and add Addendum 4 Acknowledgement Page for the SS-2201 Sanitary Sewer Rehabilitation Project (Phase 1) project released on October 4, 2023, with amendments and additions noted herein below.
2. This Addendum has a total of six (6) pages (including this page) and modifies the Contract Documents in the following manner:
 - a. NOTICE OF INVITATION FOR BIDS – Revised 3. COMPLETION OF WORK
 - b. INSTRUCTIONS TO BIDDERS – Revised paragraph 3.1.
 - c. Section 02200, **TRENCHING, EXCAVATION, SHORING AND BACKFILL** – Revised paragraph 3.03.A.4.I of GENERAL EXCAVATION AND TRENCHING
 - d. Add Addendum 4 Acknowledgement Page to the Bid Documents
 - e. Drawing No. D-01 – Deleted in its entirety and replaced with the attached.
3. Bidders are responsible for submitting proposed costs based upon all of the revisions shown herein. It will be construed that each bidder's proposal is submitted with full knowledge of all modifications and supplemental data specified herein. Acknowledgement of this Addendum is required in the bid proposal and failure to do so may cause rejection of your proposal as being non-responsive.

Questions and Answers

Q11. With the addition of the 36" HDPE pipe in addendum #2 and the the 2" Mill in addendum #3 does the City of Pinole have a new Engineer Estimate for this project?

Answer: The City will not revise the ENGINEER'S COST ESTIMATE included in the Notice of Invitation for Bids for this project.

Q12. Based on the additional work in addendum #2 and addendum #3 will the City of Pinole be extending the working days? Addendum #2 added 36" HDPE, one lateral, and one manhole; Addendum #3 added additional paving. This additional work will require additional time. Also please note with addendum 3 clarifying that only 50 LF per of trench plate is allowed, the bypass requirements of only allowing sewer bypass during working hours, the fact that 24" HDPE is provided in 40 LF lengths and 36" HDPE is provided in 50 LF lengths; additional time is going to be required to install the pipe as significant electro fuse couplings will be required (which take 2.5 times longer to weld than butt fusion) and because a significant portion of trench cannot be opened at one time; butt fusing above ground pipe strings of more than 2-3 joints will not be possible.

Answer: The WORK must be completed within 45 working days in accordance with the revisions to the Notice of Invitation for Bids in this Addendum 4. Section 02200 requires that excavations left open after working hours be covered with steel plates and limited to structure excavations or 100 feet at the working end of the trench in accordance with the Contract Documents including revisions to Section 02200 in this Addendum 4. 100 feet of trench plate will be allowed overnight and for no more than one working day at the working end of the trench.

Q13. 36" DR 17 HDPE Pipe "Gray" most likely will not be available due to the small quantity. Will City of Pinole accept black HDPE if Gray is not available?

Answer: 24- and 36-inch HDPE pipe shall be green or gray in color in accordance with Section 15066 of the Contract Documents.

Q14. The current engineer estimate on this project is \$1,150,000 (with 40 working days). Is the City of Pinole in a position to award this project if the engineer estimate is exceeded?

Answer: The City will not revise the ENGINEER'S COST ESTIMATE included in the Notice of Invitation for Bids for this project.

Q15. Trench Paving Section. Would you clarify the width of the 6" minimum section. Is it the intent of the City to require the 6" min. full depth AC to extend 24" minimum on each side of the trench as shown on detail 5/D-01; or just the 2" grind and pave section?

Answer: Please see Detail 5 of Sheet D-01 as revised in this Addendum 4.

Q16. I count only 8 new manholes. Addendum #2 changed to 9 ea. There were only 7 new MH's prior to adding MH #1107 in addendum 2.

Answer: The Drawings show 8 manholes. Please provide a cost for Bid Item No. 11 in accordance with the quantity of 9 in the Bid Schedule as revised in Addendum 3.

Q17. Trench Plating: Sewer note # 7 on N-01 indicates 150' of trench that can be plated, vs. the 50' in 02200.A.4.I. It would be benefit and advantageous to the City to allow the 150'. Please confirm if 50' or 150' will be the standard.

Answer: Sewer Note 7 on Drawing N-01 references the length of plate that can be in place at one time on a single street. Sewer Note 8 on Drawing N-01 includes that no more trench shall be excavated than may be backfilled and compacted within the current working day, a steel plate may be used at the end of the trench to facilitate the start of next day's work, and plates shall not be left in the same location for more than one working day. Section 02200 requires that excavations left open after working hours be covered with steel plates and limited to structure excavations or 100 feet at the working end of the trench in accordance with the Contract Documents including revisions to Section 02200 in this Addendum 4. 100 feet of trench plate will be allowed overnight, for no more than one working day at the same location, at the working end of the trench.

Q18. When is this project intended to be constructed? During heaviest winter flows or waiting until lighter flows in spring/summer?

Answer: The intent is to complete construction of the project in accordance with the Contract Documents. The Contract Times will start to run on the commencement date stated in the Notice to Proceed.



Sanjay Mishra, P.E., T.E.,
Public Works Director

Attachments:

Revisions to the Bidding and Contract Documents – Page 4
Addendum 4 Acknowledgement Page for Bid Documents – Page 5
Drawing No. D-01 – Page 6

REVISIONS TO THE BIDDING AND CONTRACT DOCUMENTS

The following items indicate revisions to the above referenced documents and are hereby made a part thereof and are subject to all applicable requirements thereunder as originally shown and/or specified.

This addendum is issued to reflect changes in the subject plans and specifications in the following manner:

<u>Item No.</u>	<u>Description</u>
1.01	NOTICE OF INVITATION FOR BIDS , 3. COMPLETION OF WORK CHANGED TO REPLACE “forty (40) working days” with “forty-five (45) working days”
1.02	<u>INSTRUCTION TO BIDDERS</u> , 3. INTERPRETATIONS AND ADDENDA CHANGED TO REPLACE “5 days” with “5 working days”
1.03	SECTION 02200, TRENCHING, EXCAVATION, SHORING AND BACKFILL, 3.03.A.4.I. CHANGED TO REPLACE “50 feet” with “100 feet”
1.04	ADD ADDENDUM 4 ACKNOWLEDGEMENT PAGE ON THE FOLLOWING PAGE 5 TO THE BID DOCUMENTS
1.05	DRAWING NO. D-01 DELETED IN ITS ENTIRETY AND REPLACED WITH THE FOLLOWING PAGE 6

ADDENDUM 4 ACKNOWLEDGEMENT PAGE

**SS-2201 SANITARY SEWER REHABILITATION PROJECT (PHASE 1)
CIP PROJECT NO. SS-2201**

Bid Opening Date: November 8, 2023

ACKNOWLEDGEMENT

Receipt of Addendum 4 is hereby acknowledged by _____
(Contractor's Name)

on the _____ day of _____, 2023.

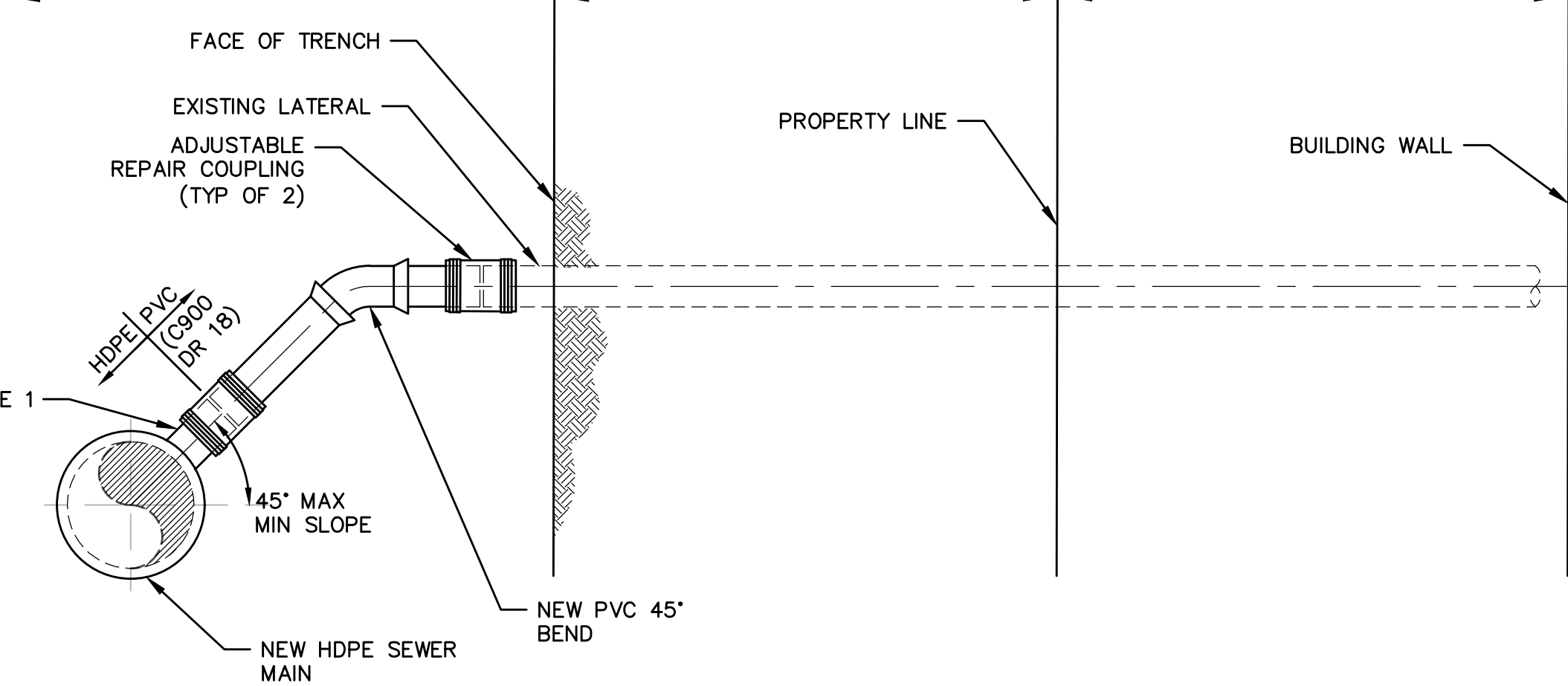
By: _____
Signature

Title

Company

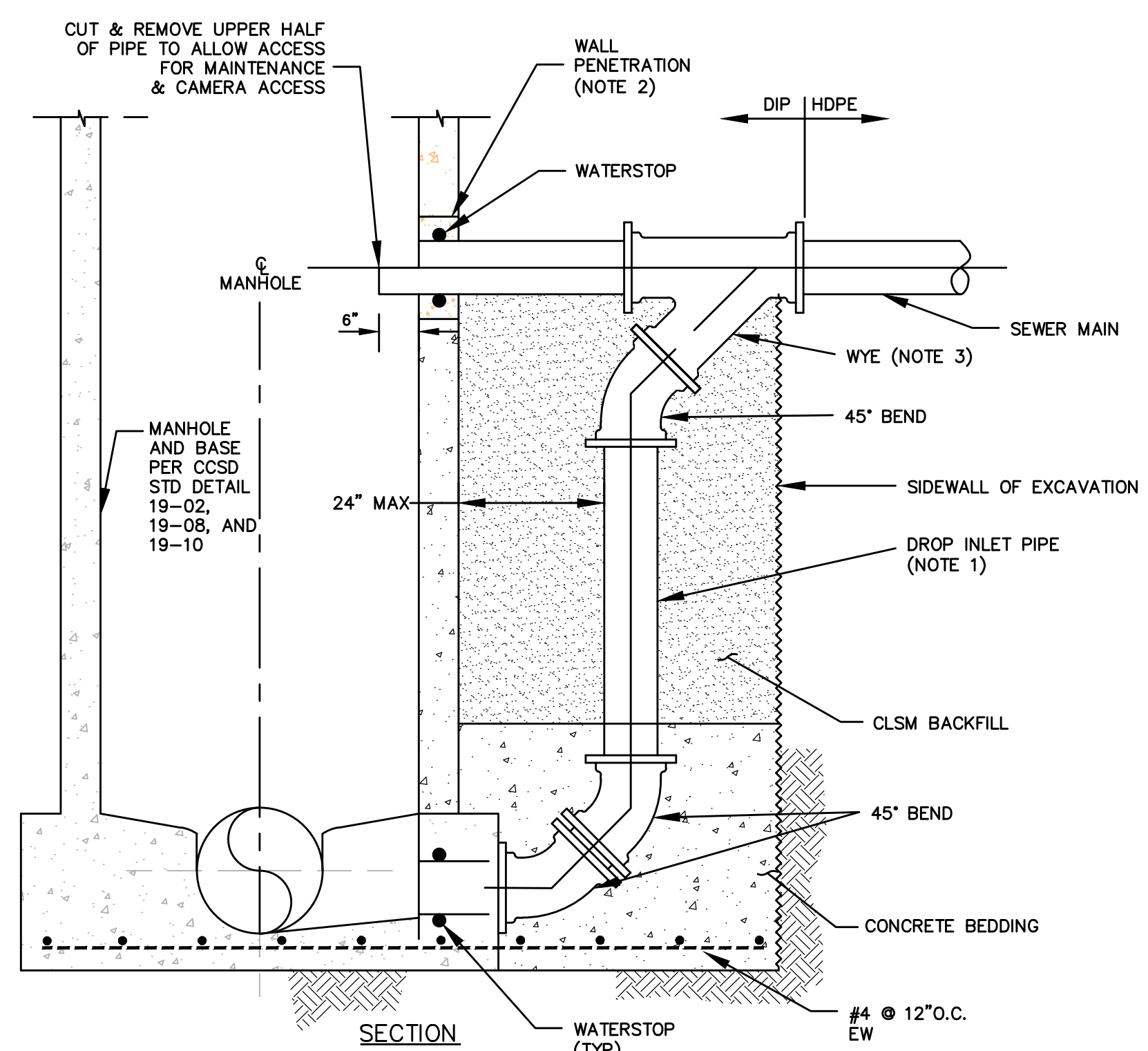
ADDITIVE BID ITEM "REMOVE AND REPLACE 4" SS LOWER LATERAL" AND "PIPEBURST EXISTING 4" SS LATERAL)

ADDITIVE BID ITEM "REMOVE AND REPLACE 4" SS UPPER LATERAL" AND "PIPEBURST EXISTING 4" SS LATERAL)



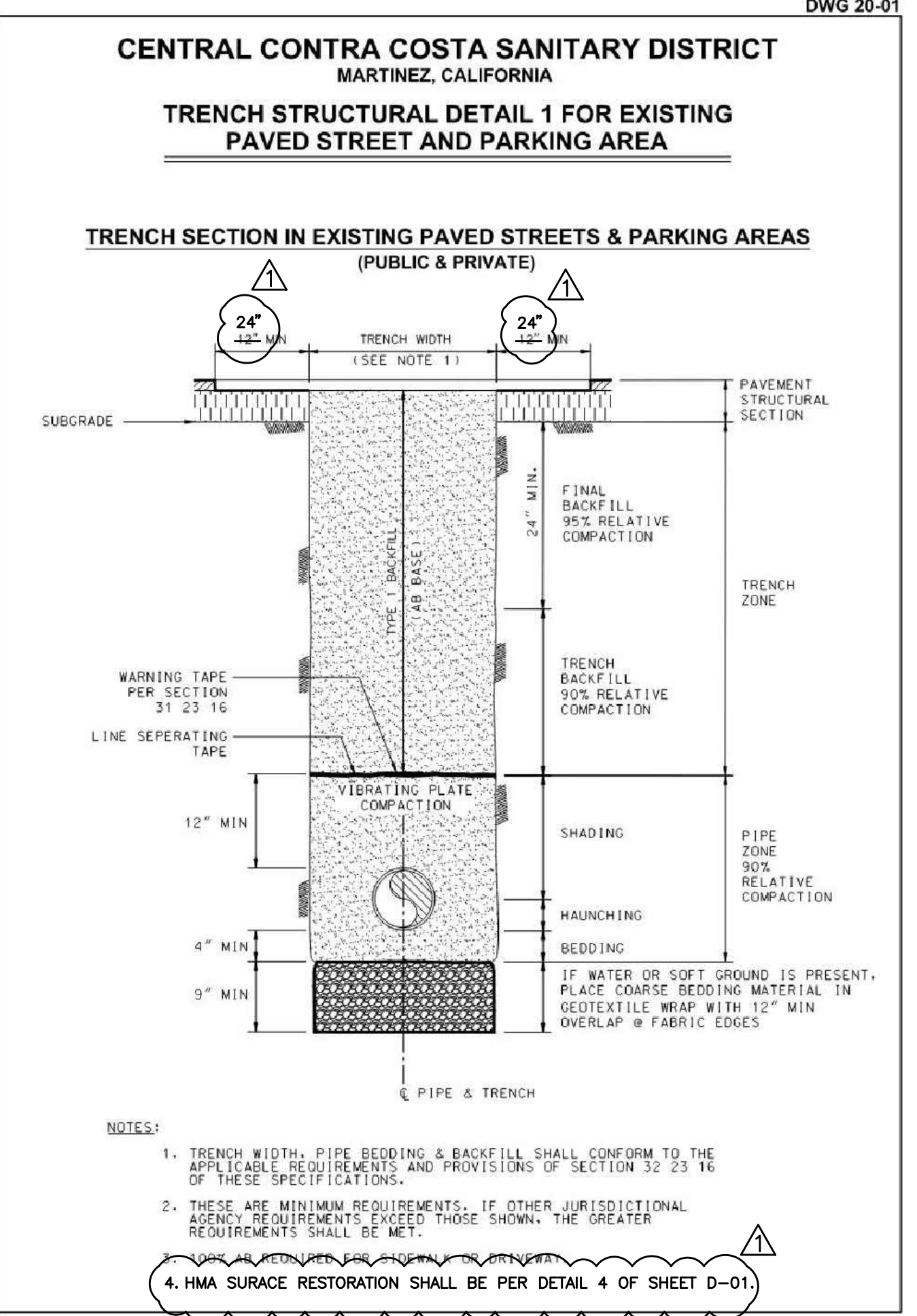
- NOTES:**
1. CONNECTION TO MAIN SEWER SHALL BE MADE WITH A THERMAL FUSED SADDLE
 2. TRENCH BACKFILL AND SURFACE RESTORATION SHALL BE PER CCCSD STANDARD DETAIL 20-01
 3. EXTENDING/SHORTENING SEWER LATERALS AS REQUIRED TO CONNECT TO RELOCATED SEWER MAIN IS INCLUDED IN THE BID ITEM FOR "LATERAL RECONNECTION".

1 SEWER LATERAL RECONNECTION
- NOT TO SCALE



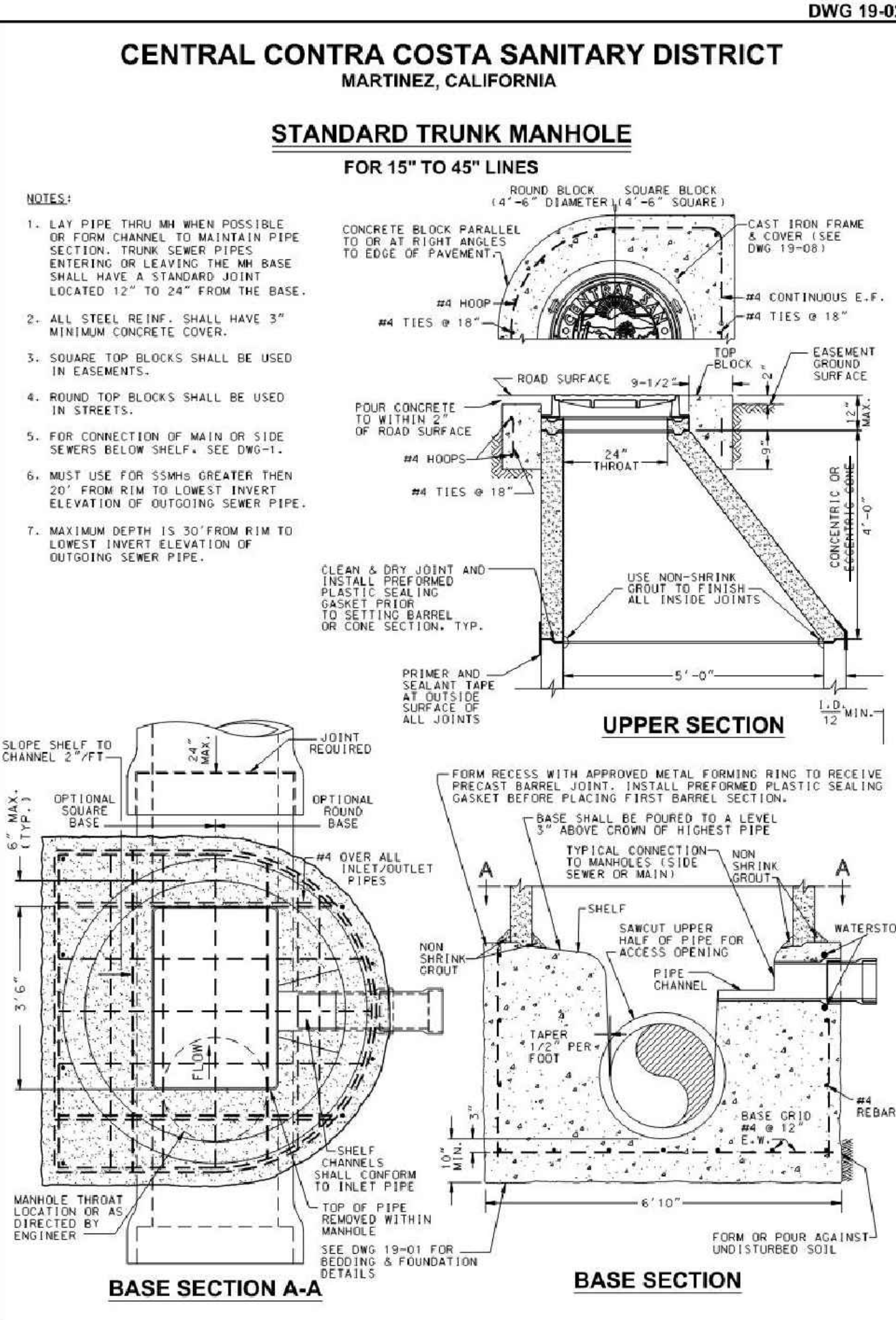
- NOTES:**
1. DROP INLET PIPE AND FITTINGS SHALL MATCH SIZE OF INCOMING SEWER MAIN.
 2. CORE DRILL MANHOLE WALL TO ALLOW 1 INCH ANNULAR SPACE AROUND NEW PIPE. INSTALL O-RING GASKET AROUND PIPE CENTERED IN WALL AND IN ACCORDANCE WITH MANUFACTURER'S INSTRUCTIONS. FILL ANNULAR SPACE WATER TIGHT WITH NON-PERMEABLE NON-SHRINK GROUT.
 3. CONNECTION BETWEEN DUCTILE IRON PIPE AND HDPE PIPE SHALL BE MADE WITH AN HDPE FLANGE ADAPTOR AND SHALL BE DONE PER MANUFACTURER'S RECOMMENDATIONS.

2 SEWER MANHOLE DROP CONNECTION
- NOT TO SCALE

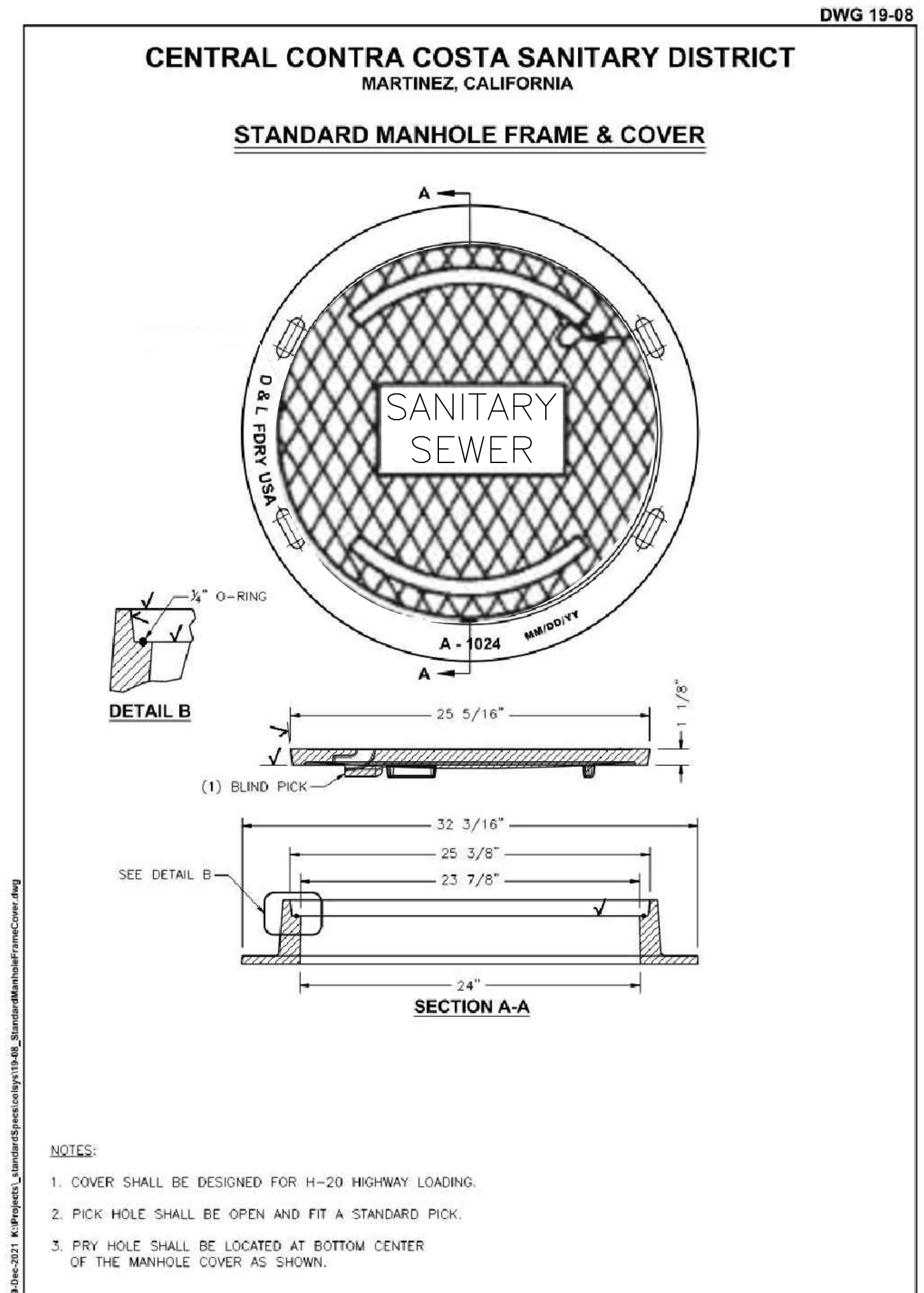


- NOTES:**
1. TRENCH WIDTH, PIPE BEDDING & BACKFILL SHALL CONFORM TO THE APPLICABLE REQUIREMENTS AND PROVISIONS OF SECTION 32.23.16 OF THESE SPECIFICATIONS.
 2. THESE ARE MINIMUM REQUIREMENTS. IF OTHER JURISDICTIONAL AGENCY REQUIREMENTS EXCEED THOSE SHOWN, THE GREATER REQUIREMENTS SHALL BE MET.
 3. SEE ALL REQUIREMENTS FOR SPECIAL OR DIFFERENT.
 4. HMA SURFACE RESTORATION SHALL BE PER DETAIL 4 OF SHEET D-01.

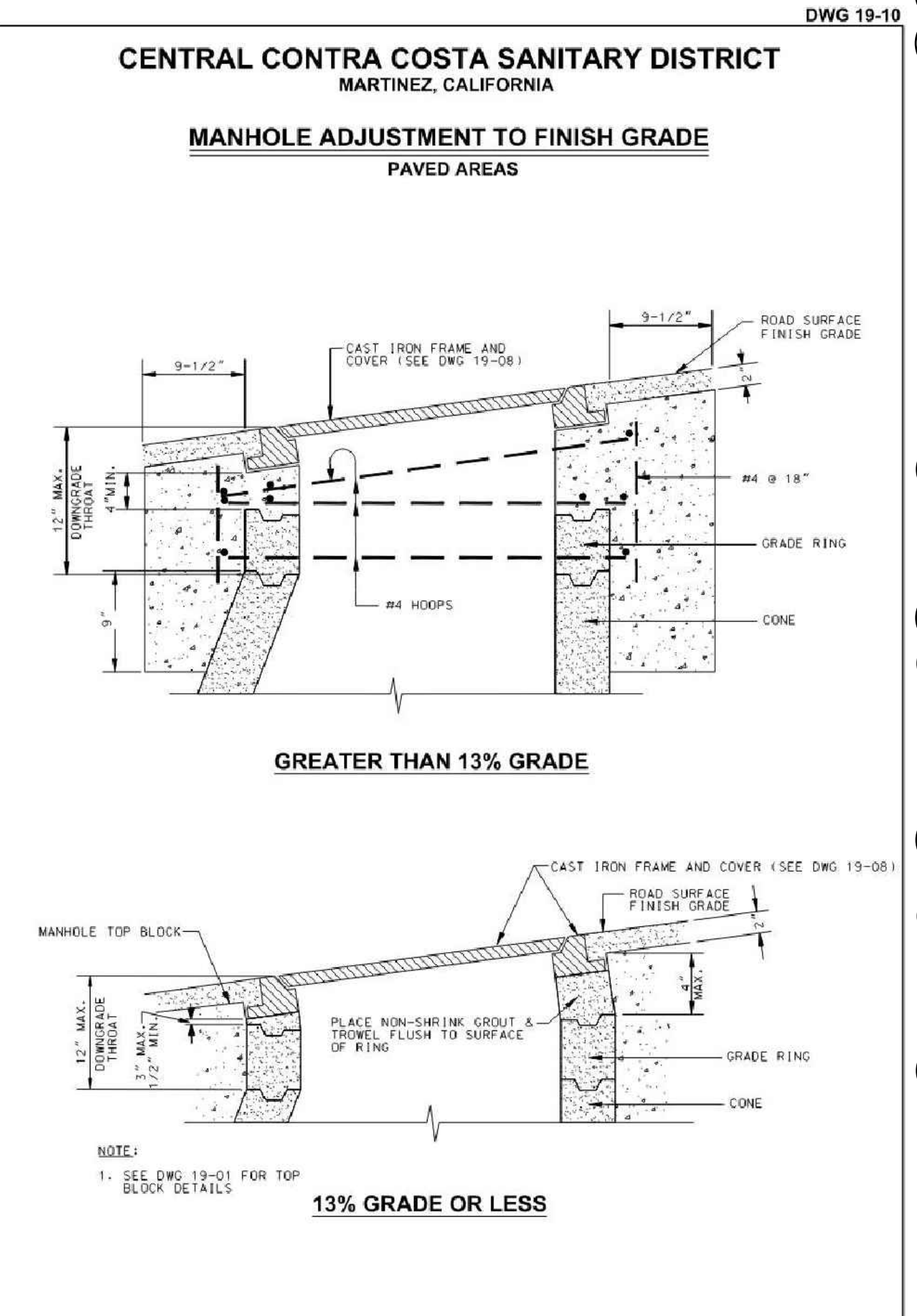
3 CCCSD STD DETAIL 20-01
- NOT TO SCALE



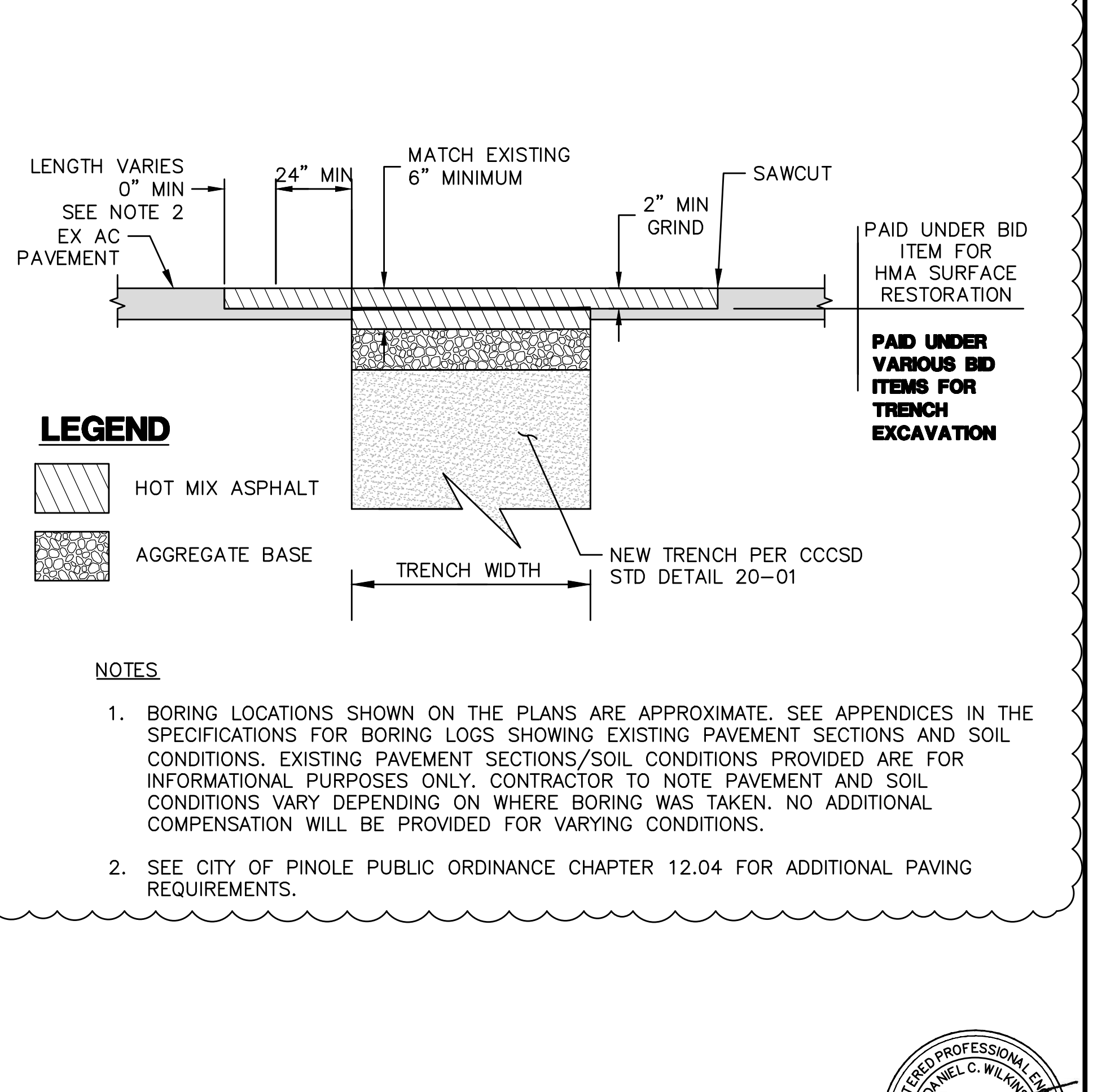
4 CCCSD STD DETAIL 19-02, 19-08 AND 19-10
- NOT TO SCALE



4 CCCSD STD DETAIL 19-02, 19-08 AND 19-10
- NOT TO SCALE



5 HMA SURFACE RESTORATION
- NOT TO SCALE



5 HMA SURFACE RESTORATION
- NOT TO SCALE

10/30/23	DCW REVISED DETAIL 3, ADDED DETAIL 5	DESCRIPTION
11/2/23	DCW REVISED DETAIL 5	
NO.	DATE	BY

THESE DRAWINGS AND SPECIFICATIONS ARE THE PROPERTY AND COPYRIGHT OF WEST VALLEY CONSTRUCTION. THEY SHALL BE USED ONLY FOR THE PROJECT AND SITE SPECIFICALLY IDENTIFIED HEREIN. ANY REUSE OR MODIFICATION WITHOUT THE WRITTEN AGREEMENT OF WEST VALLEY CONSTRUCTION IS STRICTLY PROHIBITED. THE USER SHALL TAKE PRECEDENCE OVER THESE DRAWINGS AND SPECIFICATIONS. WEST VALLEY CONSTRUCTION SHALL BE RESPONSIBLE FOR THE DESIGN AND CONSTRUCTION OF THE PROJECT FROM THE START OF THE PROJECT TO THE END OF THE PROJECT.

DRAWN BY: DA
DESIGNED BY: DA
CHECKED BY: DW
DATE: 09/26/23



west valley CONSTRUCTION
SINCE 1958
Design - Build Services
2655 STANWELL DRIVE, SUITE 215
CONCORD, CA 94520
925-414-3001
www.westvalleyconstruction.com

CITY OF PINOLE SANITARY SEWER REHABILITATION PROJECT (PHASE 1) CONSTRUCTION DETAILS

DATE: SEP. 29, 2023
PROJECT ID: 309819
SCALE: N.T.S.
DWG. NO: D-01
SHT: 6 OF 6



\\reseng\Engineering Data\13.0 PROJECTS\309819 Phase 1 SS\B.0 DESIGN\B. Design\Phase 1\06_D1_DETAILS.dwg Date: 11/2/2023 2:41 PM Plot Date: 11/2/2023 2:41 PM DWG 20-01